



# Controltech Extension Bar Installation Instructions

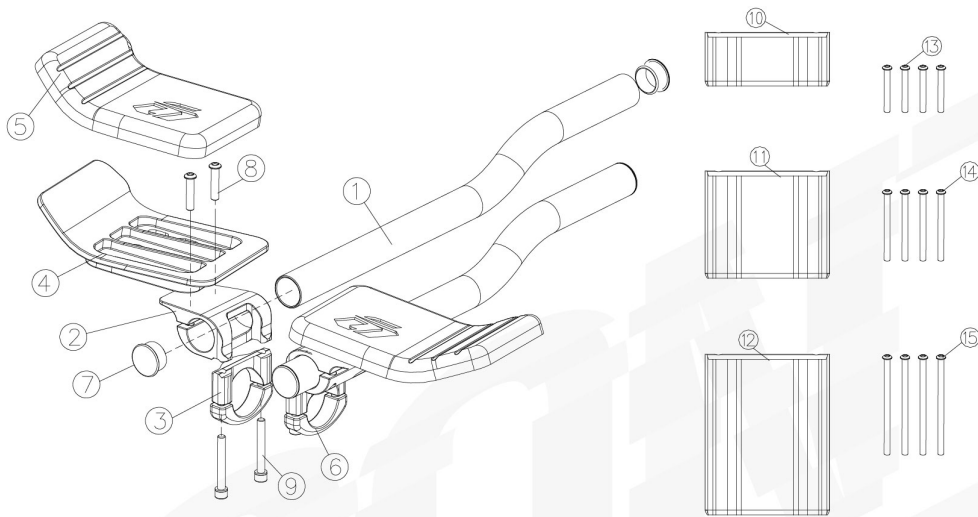


Thank you for choosing this Controltech Handlebar. With proper care and installation, it will give you trouble-free, enjoyable use.

In order to maximize the safe enjoyment of this product, you should read and carefully follow the following installation instructions and warnings. Failure to do so could result in unexpected wear and/or failure, possibly resulting in injury. Please read the following directions and helpful hints when installing your new handlebar.

Controltech warrants this product to be free from defects in materials and workmanship for a period of two years from the date of purchase when purchased from an authorized Controltech dealer. This warranty is extended only to the original owner of the product and is not transferable. Proof of purchase is required for any warranty service, so be sure to keep your receipt.

This warranty does not cover cosmetic or structural damage arising from misuse or abuse, including damage caused by crashes, jumping and landing, front end impact, falls or any other collision, owner neglect of regular maintenance, improper installation of parts and accessories. Controltech makes no warranty if modifications, changes, additions or substitutions are made to any components. Wear from normal use or exposure to environmental elements is not covered by this warranty. Controltech makes no warranty against any incidental or consequential damage to bike or parts, or rider injury caused by defects as covered in this warranty.



## Model name / Model no.

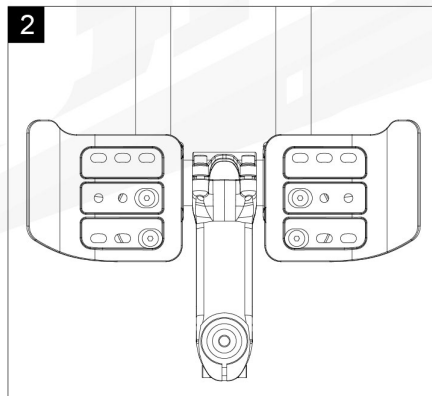
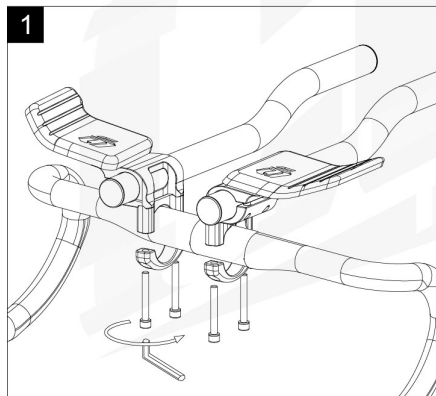
Controltech Extension / TTH-15/16/25/26

### Part

- ① Extension x2 °
- ② G Clamp x2 °
- ③ C Clamp x2 °
- ④ Elbow pad cradle x2 °
- ⑤ Elbow pad x2 °
- ⑥ Lower clamp x2 °
- ⑦ Extension end cap °
- ⑧ M5 bolt x4(25mm) °
- ⑨ M5 bolt x4(35mm) °

### Accessories

- ⑩ 20mm spacers x2 ° (Need to purchase separately)
- ⑪ 40mm spacers x2 °
- ⑫ 60mm spacers x2 °
- ⑬ M5 bolts x4 (Length 55 mm for 20mm stack height) °
- ⑭ M5 bolts x4 (Length 75 mm for 40mm stack height) °
- ⑮ M5 bolts x4 (Length 95 mm for 60mm stack height) °



## Installation Instructions:

1. Inspect the product for any defectives before installation and please contact the dealer or distributor if any.
2. We suggest to assemble this product on the road bike handlebar or TT bike handlebar.
3. This product must be assembled on the handlebar with 31.8mm bar bore.
4. Clamp the TT handlebar on the center of the bar bore area and tighten the screws (Max. torque 5Nm)..
5. Assemble elbow pad.

