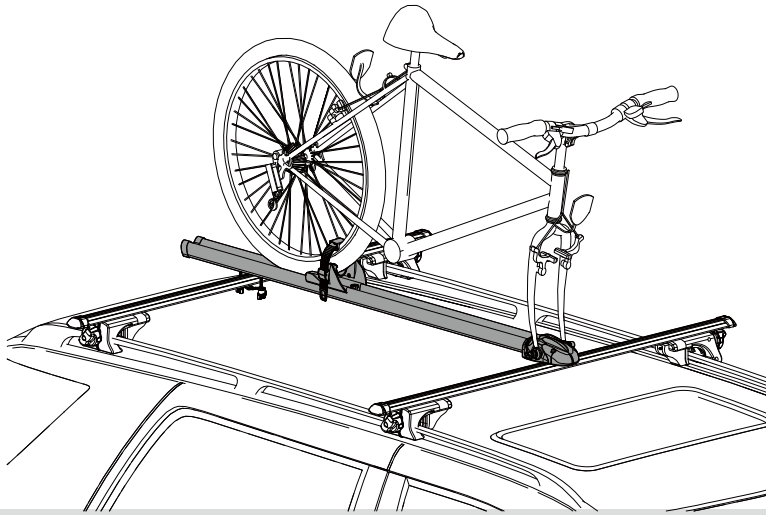


VANGUARD

Roof fork mount bike carrier

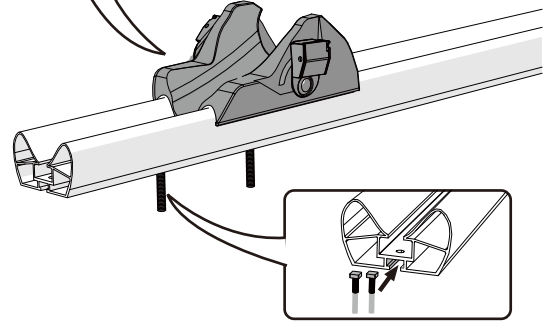
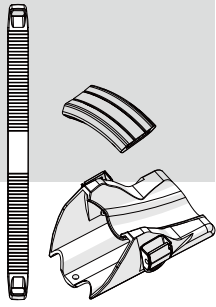
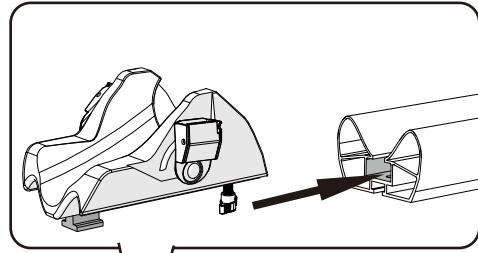
Model : VZ-F13-004



Thank you for purchasing Venzo. Please check if all parts are included.

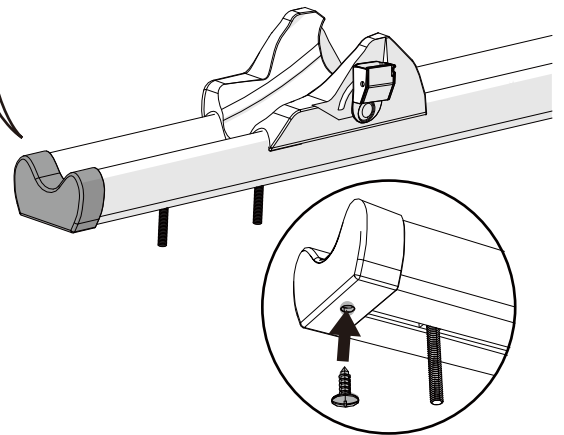
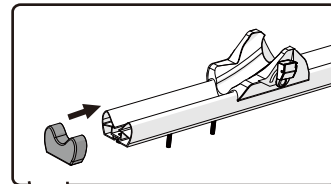
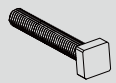
Slide the wheel tray then insert the cushion pad.

1



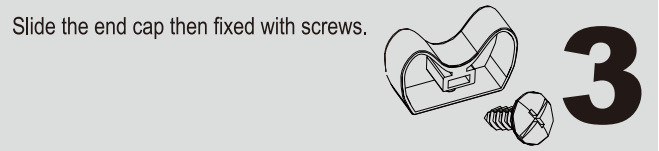
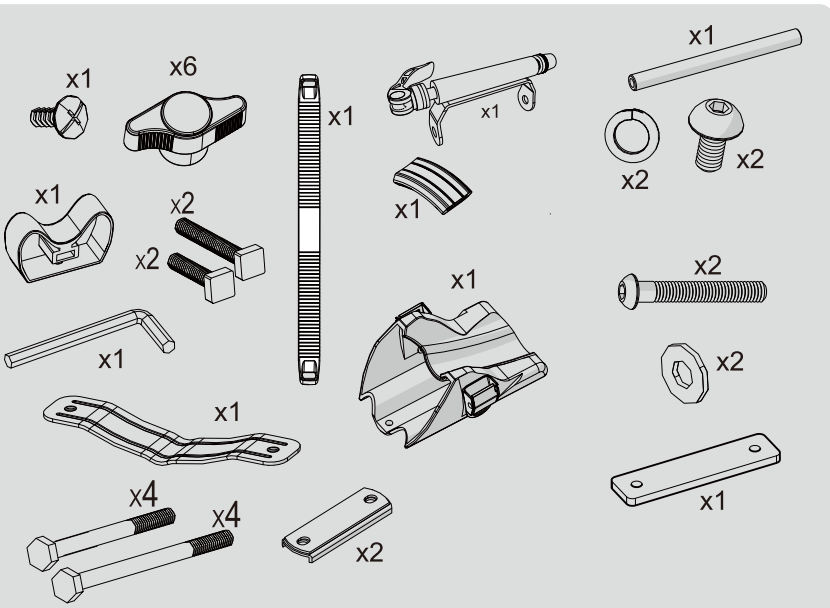
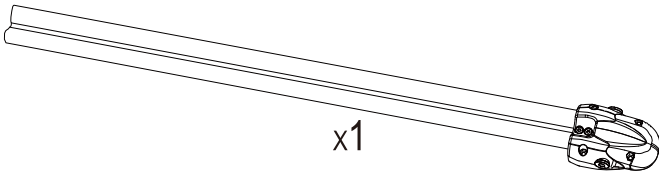
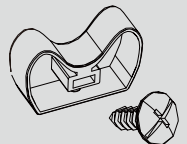
Slide the T screws into bottom slot.

2

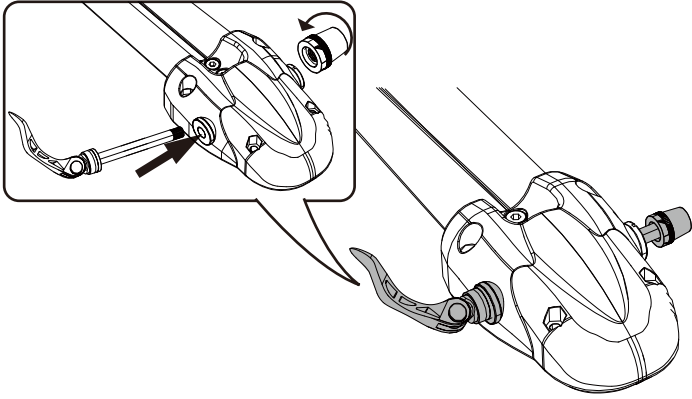
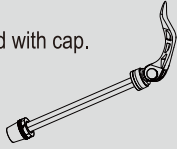


Slide the end cap then fixed with screws.

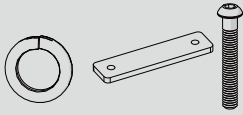
3



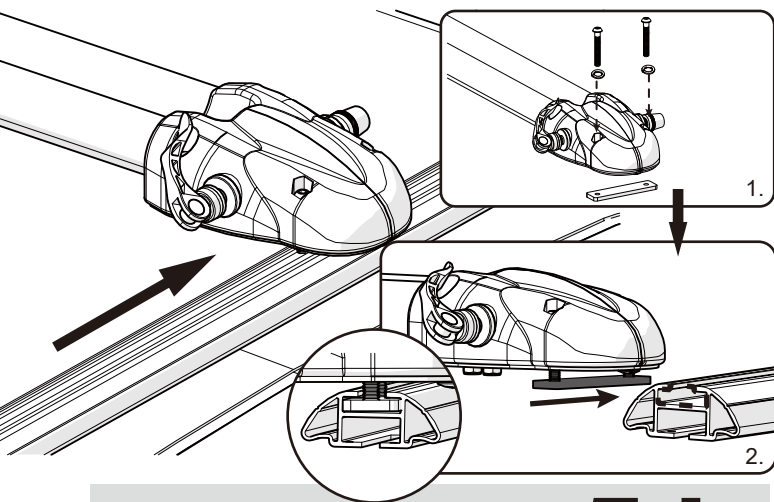
Insert the quick release then secured with cap.



Place the T-blots into the front holes of front housing.



5-a



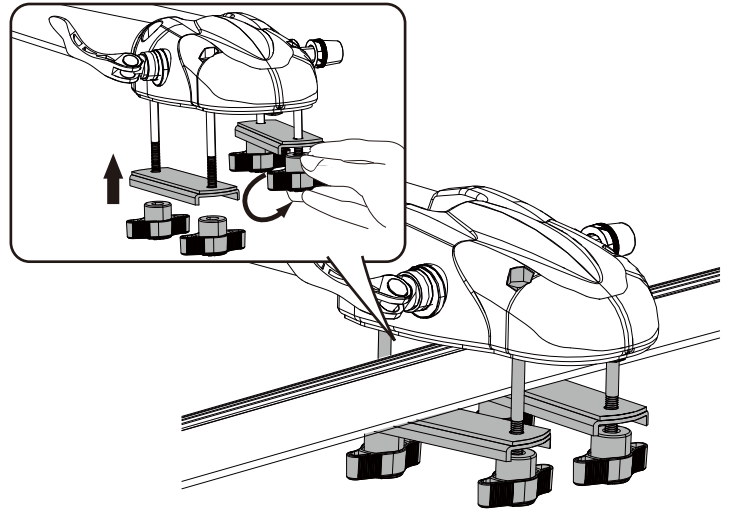
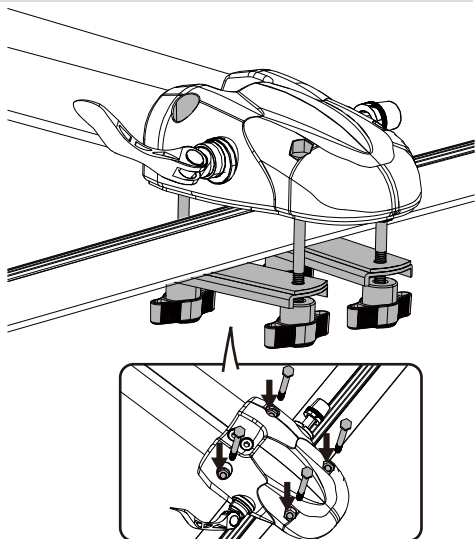
Take out the rubber strap and slide the T-blots into the roof bar slot, then cutting the rubber strap with appropriate length and insert it back.

5-b

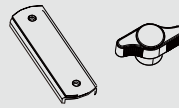
Place the bolts into holes at four corners of front housing.



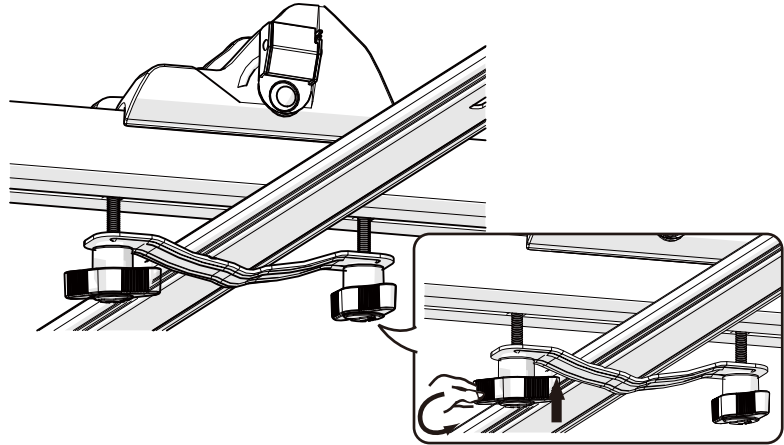
5-a-1



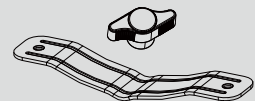
Use the knobs to fix the cross bar between front housing and front bracket.



5-b-1



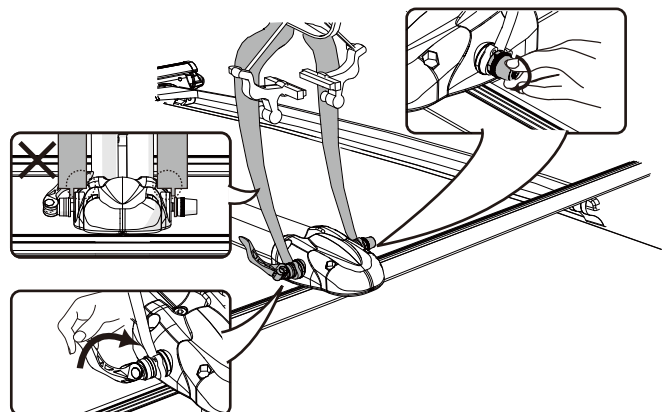
Use the knobs to fix the cross bar between tray and rear bracket.



6

Place the front fork onto the quick release skewer. Fix one side by turning the knob.

7-a

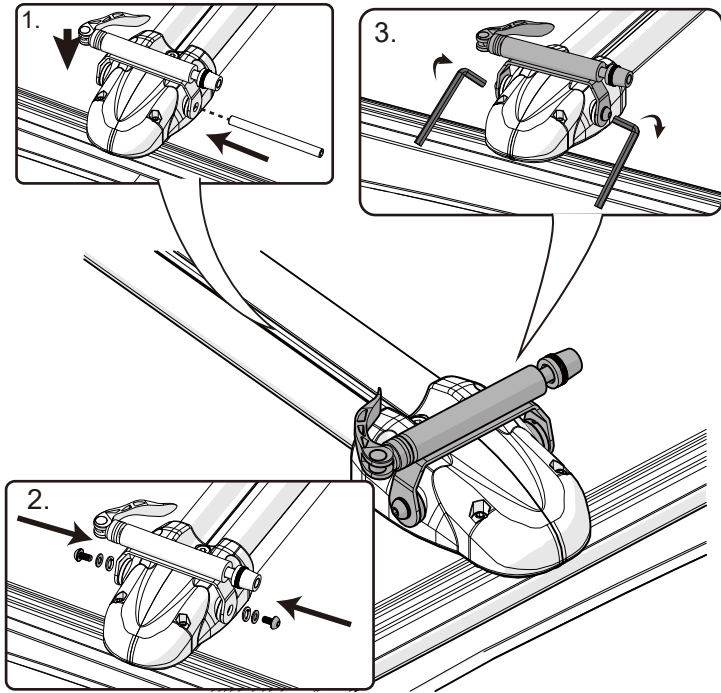


On another side, push the lever inward to secure the fork
If necessary, rotate the lever until fully tighten.

7-b

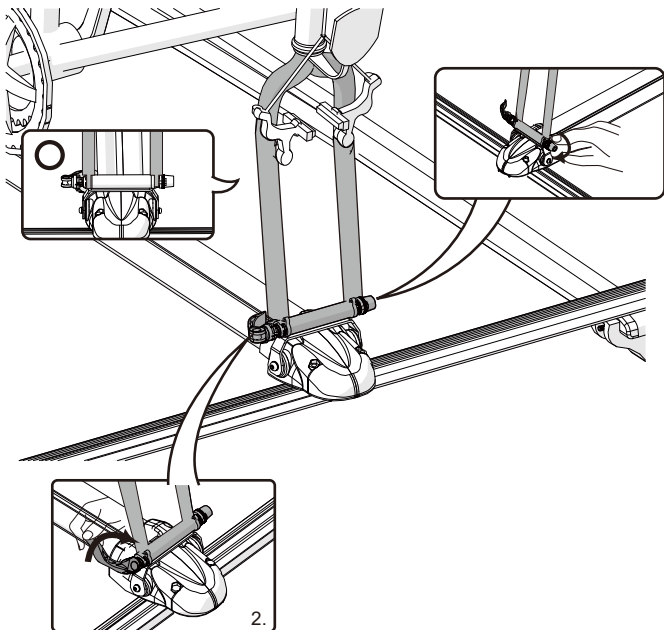
If you are not riding a road bike, or your bicycle has a disk brake, use
the adaptor in the front housing and secure it with the screws.

8



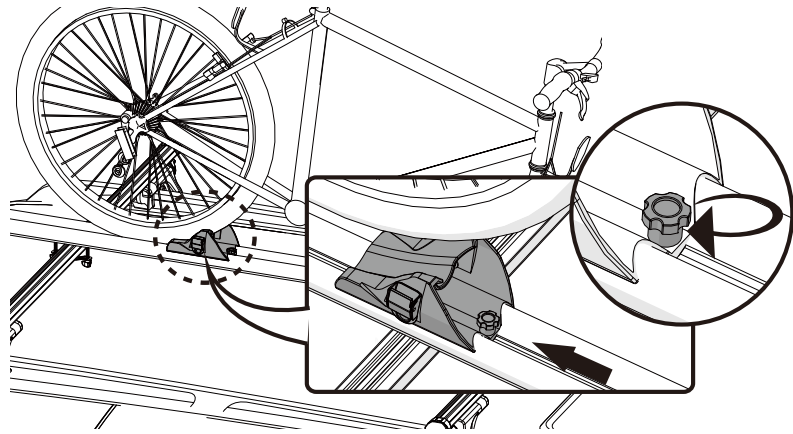
Place the front fork onto the quick release skewer.
Fix one side by turning the knob.

9



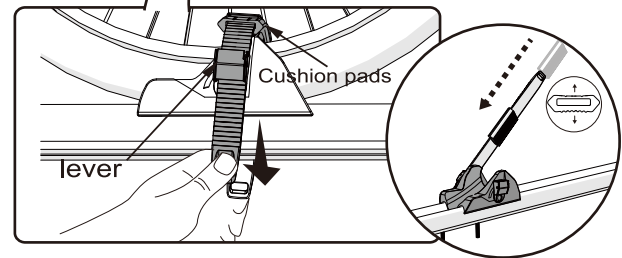
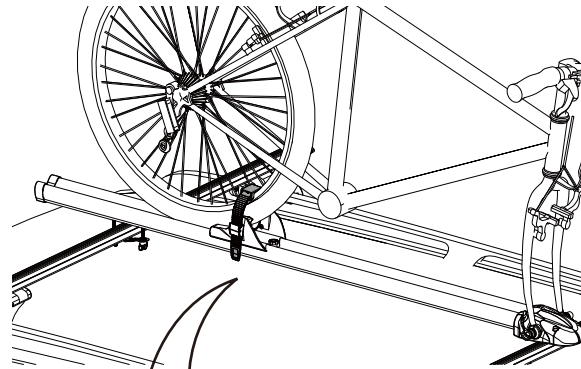
Push the wheel tray for proper fit of bike wheel then tighten
the knob to fix the position.

10



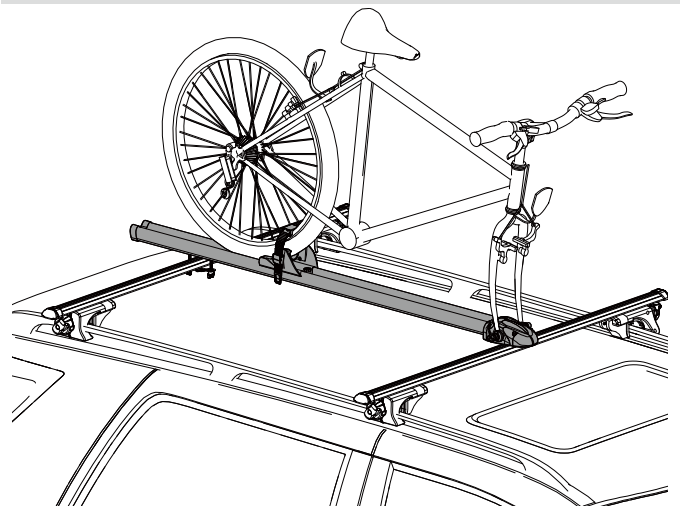
Use the ratchet strap to secure the wheel with cushion pad.
Caution: do not overtighten the ratchet strap!

11



Installation complete.

12



Caution

1. The roof bike carrier has been designed and manufactured to attach securely to a variety of vehicles with cross bars on the roof. The attachment of the bike carrier to cross bar of vehicle is beyond the control of the manufacturer. The user must therefore ensure that the bike carrier is suitable for use with their particular cross bar. If in doubt, please ask authorized dealer to install for you.
2. During the journey, please check the attachment of bike carrier to cross bar constantly and cautiously. Retighten the knobs if necessary and lock them with key always. Make sure all the parts are in good condition. Contact authorized dealer if any part needs attention.
3. Always obey the national law about the use of roof bike carrier.
4. The maximum load for this bike carrier is 15 kgs (35Lbs). Do not over load or carry other things except bicycle.
5. Reduce the speed on rough road and do not use it on off road.
6. This bike carrier is designed for temporary use only, remove when not in use or during the bad weather.
7. Failure to obey the guideline and warning in the instruction will void the warranty.
8. Watch out for roof clearance as the bicycle and bike carrier will increase the height of roof.
9. Be cautious that the operation of tailgate maybe interfered by the roof bike carrier. If in doubt, consult with automotive professional or authorized BnB Rack dealers.
10. This bike carrier does not carry recumbent or tandem bikes and is best designed for bike with traditional diamond shape frame.
11. Sometimes, the antenna of the roof will be interfered by bike carrier and bike. Remove it if necessary.
12. Remove all loose items in the bike before mounting.

VENZO
BICYCLE COMPONENT