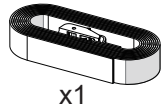
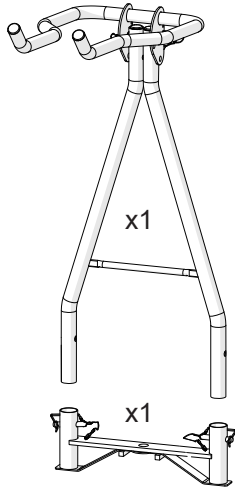




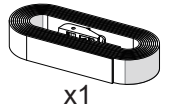
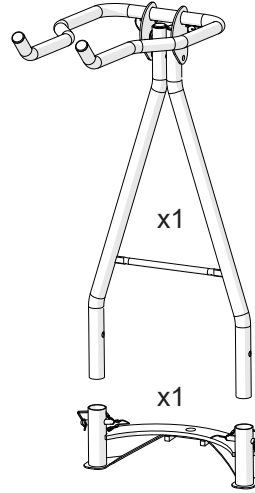
INSTRUCTIONS ARM A-FRAME BIKE CARRIER

MODEL: VZ-F13-013-A (FOR 4 BIKE)

MODEL: VZ-F13-013-B (FOR 4 BIKE)



SAFETY STRAP

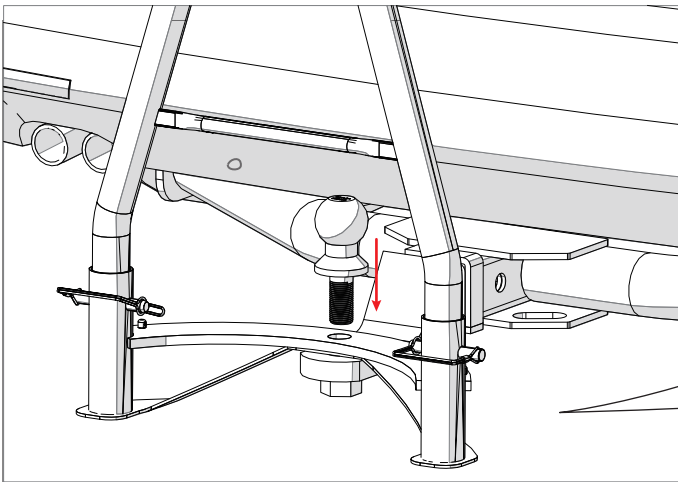


SAFETY STRAP

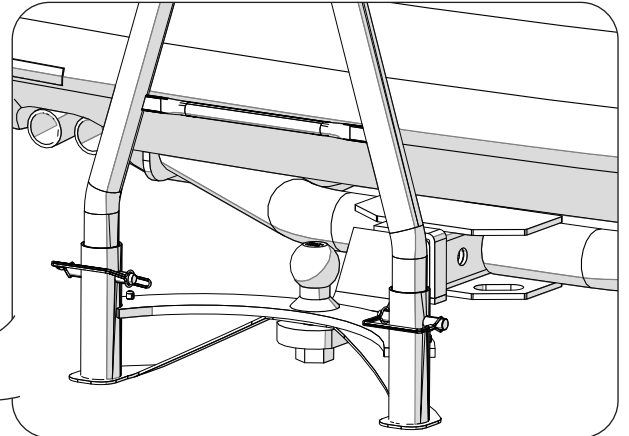


Thank you for purchasing this product.
Please check if all parts are included.

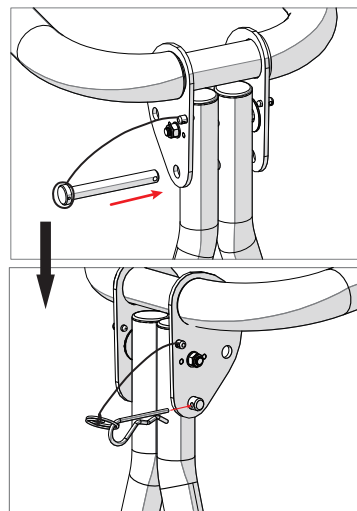
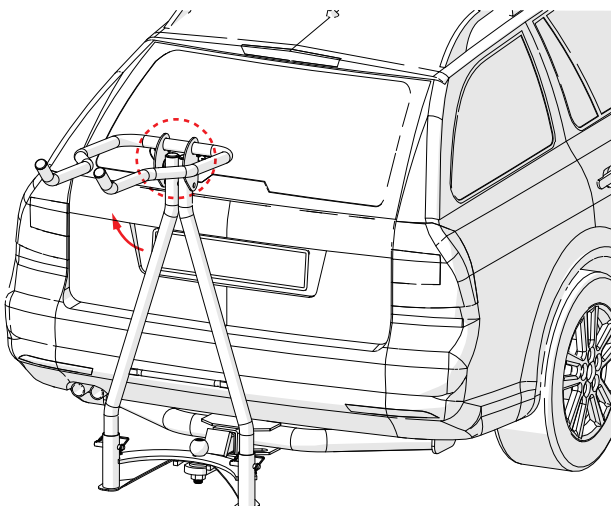
Step 1.



Place the bike carrier in the interlock hitch draw bar and secure by tightening tow ball and nut.

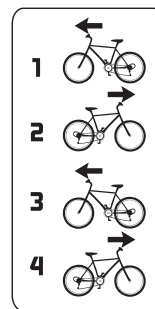
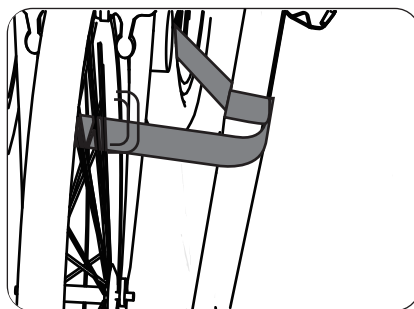
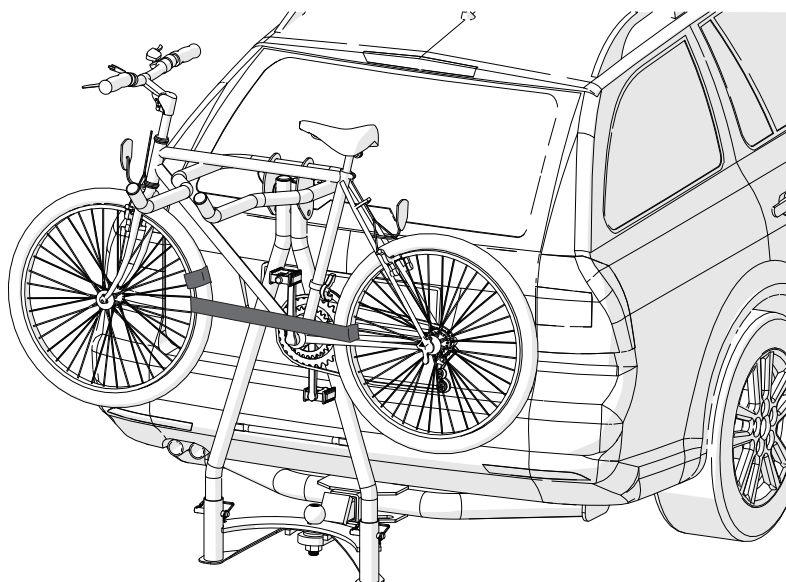


Step 2.

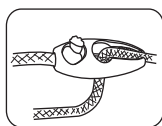
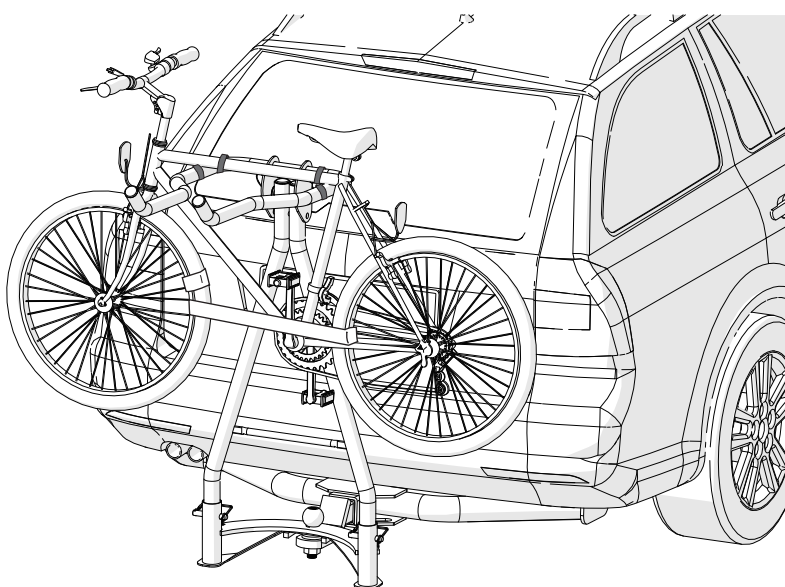


Supporting arm can be folded down by removing the fixing pin.

Step 3.



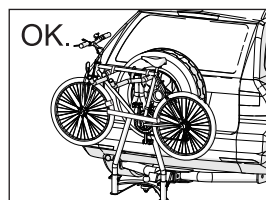
Step 4.



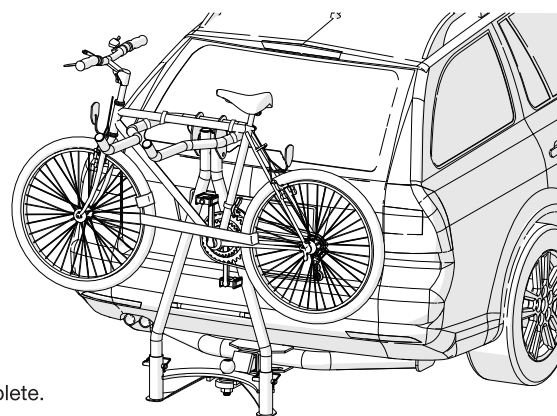
Wrap 1 bungee cable around each carrier arm, making a criss-cross over the top of the bike frame. Secure tightly by passing the cable through the hole from the back with the teeth at the front. Pull the cable tight through the teeth to secure.

Step 5.

Divide the safety strap in half and make a loop around the carrier frame. Take the strap forward to secure wheels and frame and tighten it firmly.



Installation complete.



CAUTION

- This carrier has been designed and manufactured to attach securely to a variety of vehicles. The attachment of this carrier to a vehicle is safety critical and beyond the control of the manufacturer. The user must therefore ensure that the cycle carrier is suitable for use with their particular vehicle and that both carrier and cycles are securely and safely attached to the vehicle.
- During the journey, frequently check the tension of carrier fixing straps and the security of the cycles carried.
- Be cautious that the bicycles and bicycle carrier do not come close to exhaust pipe of the vehicle.

- The maximum load for this bicycle carrier is 60kgs for 4-bike carrier. Do not overload.
- Reduce speed when on rough or dirt road.
- This bicycle carrier is designed for temporary use only, remove when not in use or before going through a car wash.
- Should your rear lights or number plate be obscured when carrying bikes an auxiliary lighting board and number plate must be provided. Consult your local law enforcement.